

KEY PLAN:

NOTES:

LEGENDS:

- 10-T10-01-150 B1
- DESCRIPTION
- SPACING
- BAR NUMBER
- BAR DIAMETER
- NO. OF BARS

REFERENCE DRAWINGS:

REV.	DRAWING NO.	DESCRIPTION

REV.	DATE	DESCRIPTION	DRAWN	CHKD.
0	27.03.2016	ISSUED FOR APPROVAL	YSR	RSK

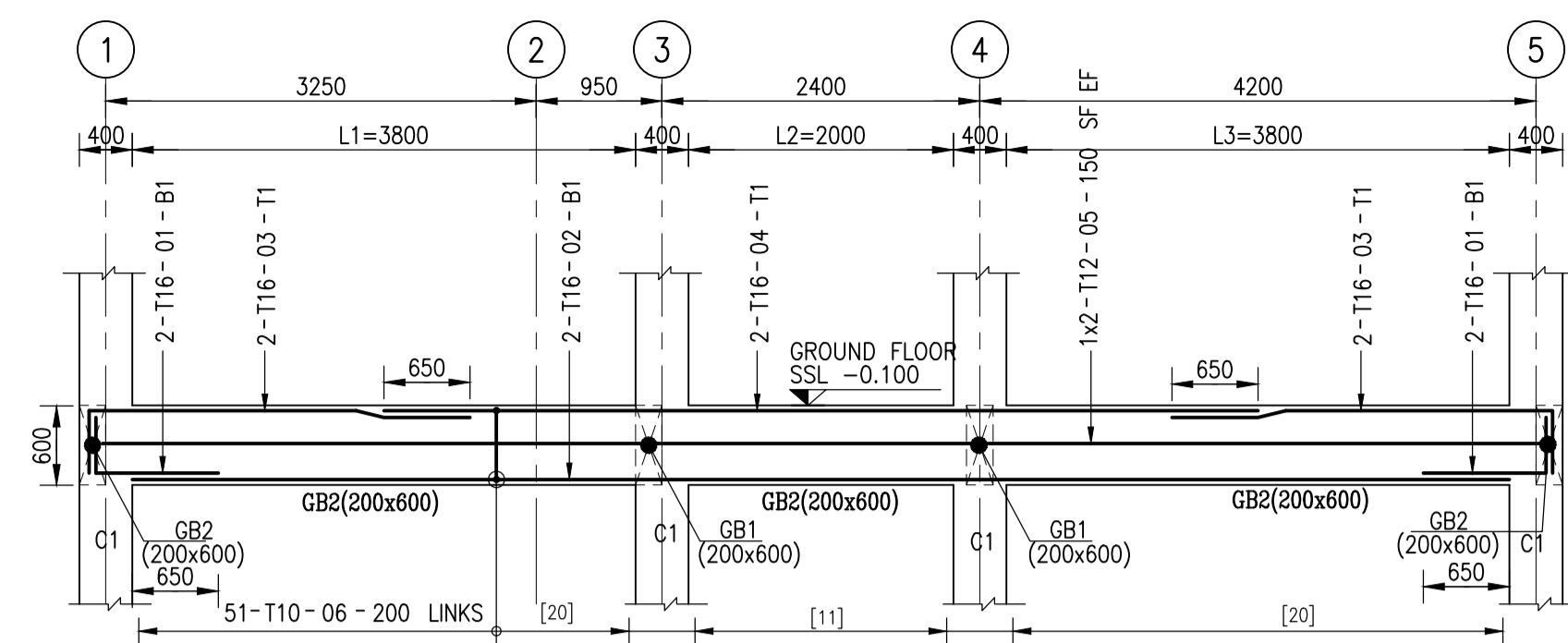
PROJECT:

CLIENT:

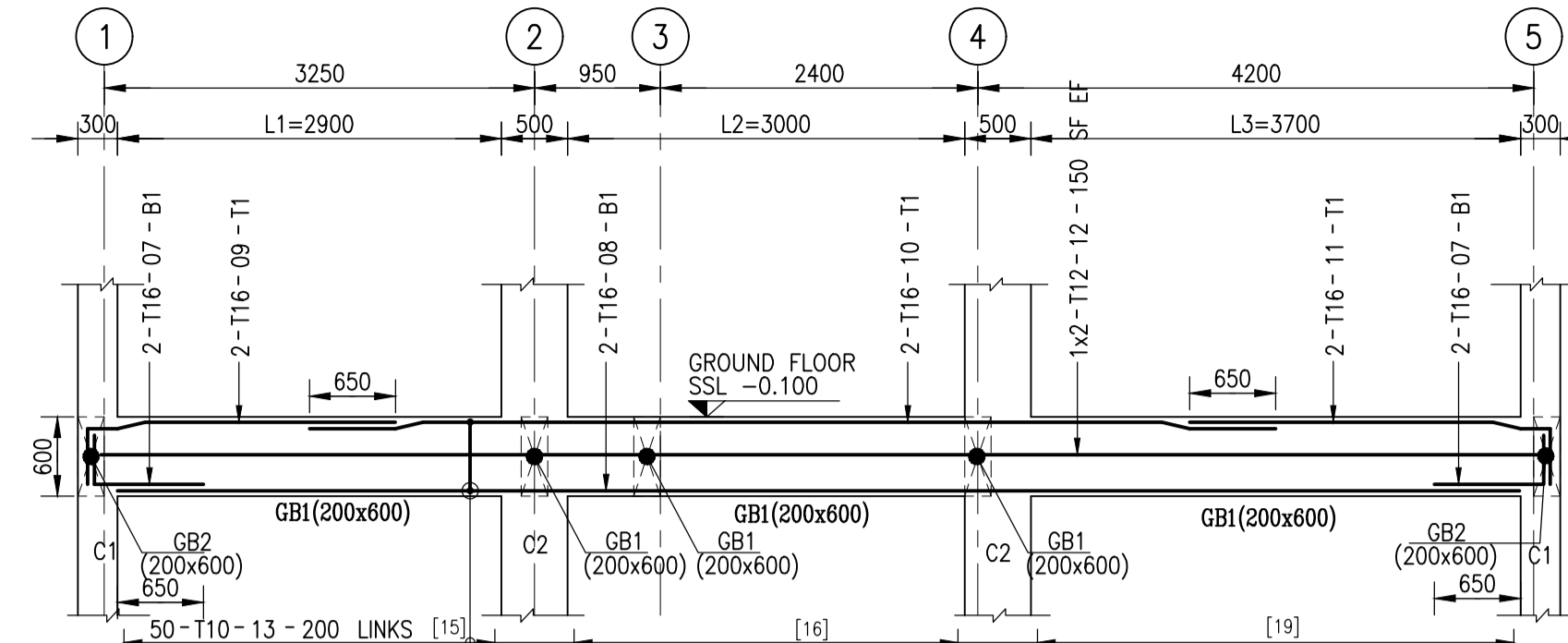
DRAWING TITLE:-

**BEAM SAMPLE DRAWING
REINFORCEMENT DETAILS**

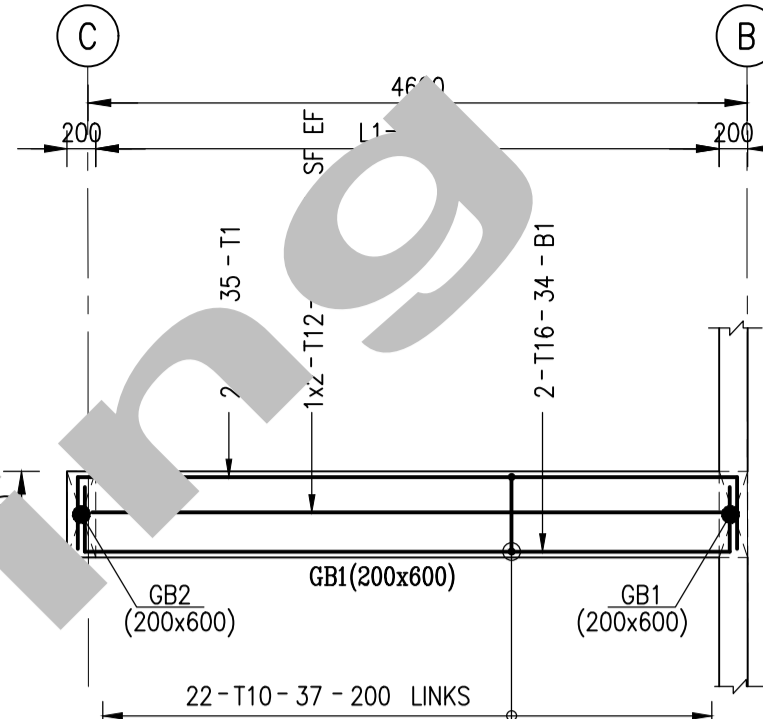
DRAWN	YSR	CHECKED	RSK
DATE	-	APPROVED	RSK
SCALE	AS NOTED	SHEET	01 OF 01
DWG.NO		TRADE	REV.
		CIVIL	0



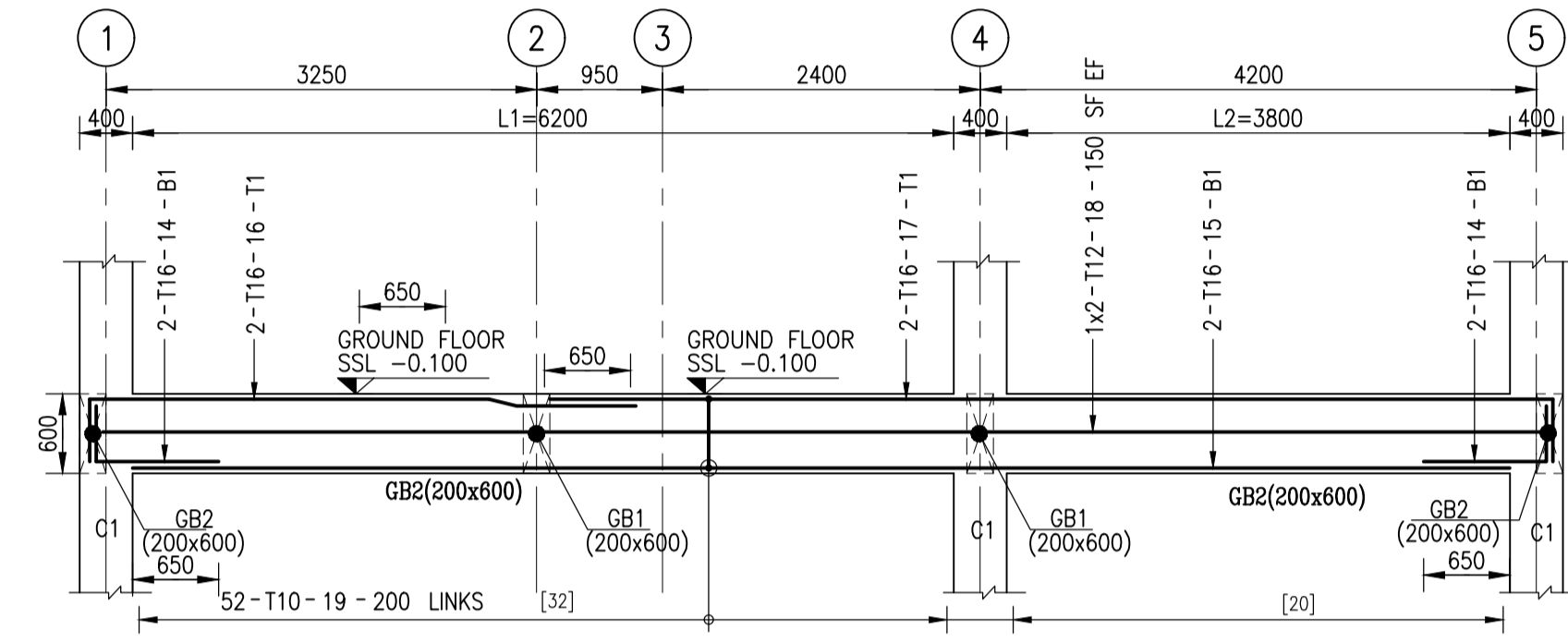
ELEVATION-A GROUND FLOOR BEAM-GB2(200x600)
SCALE 1:50



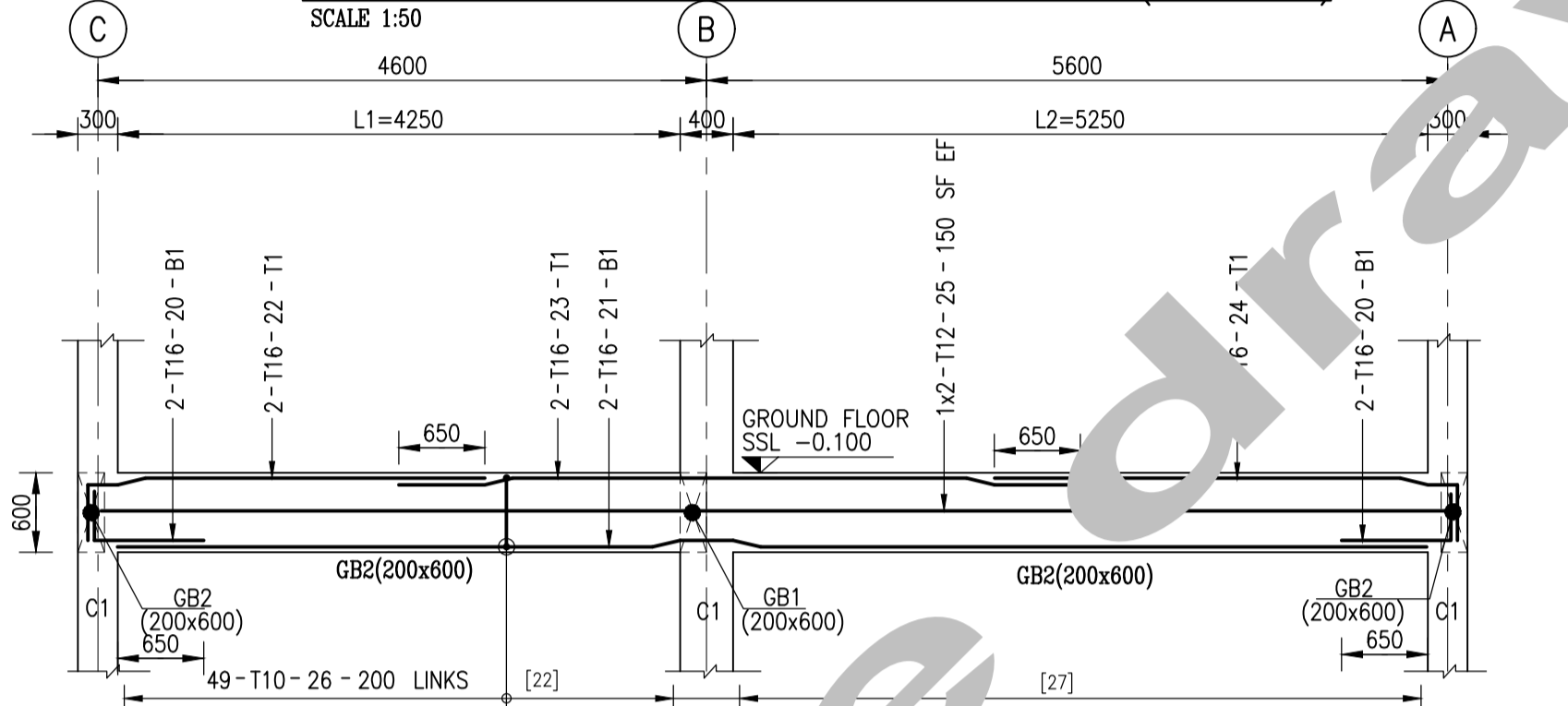
ELEVATION-B GROUND FLOOR BEAM-GB1(200x600)
SCALE 1:50



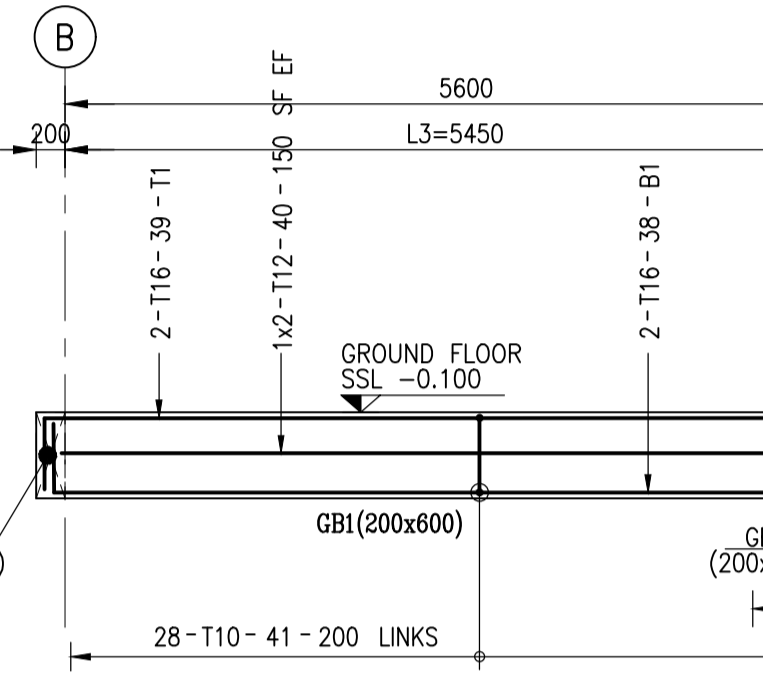
ELEVATION-F GROUND FLOOR BEAM-GB1(200x600)
SCALE 1:50



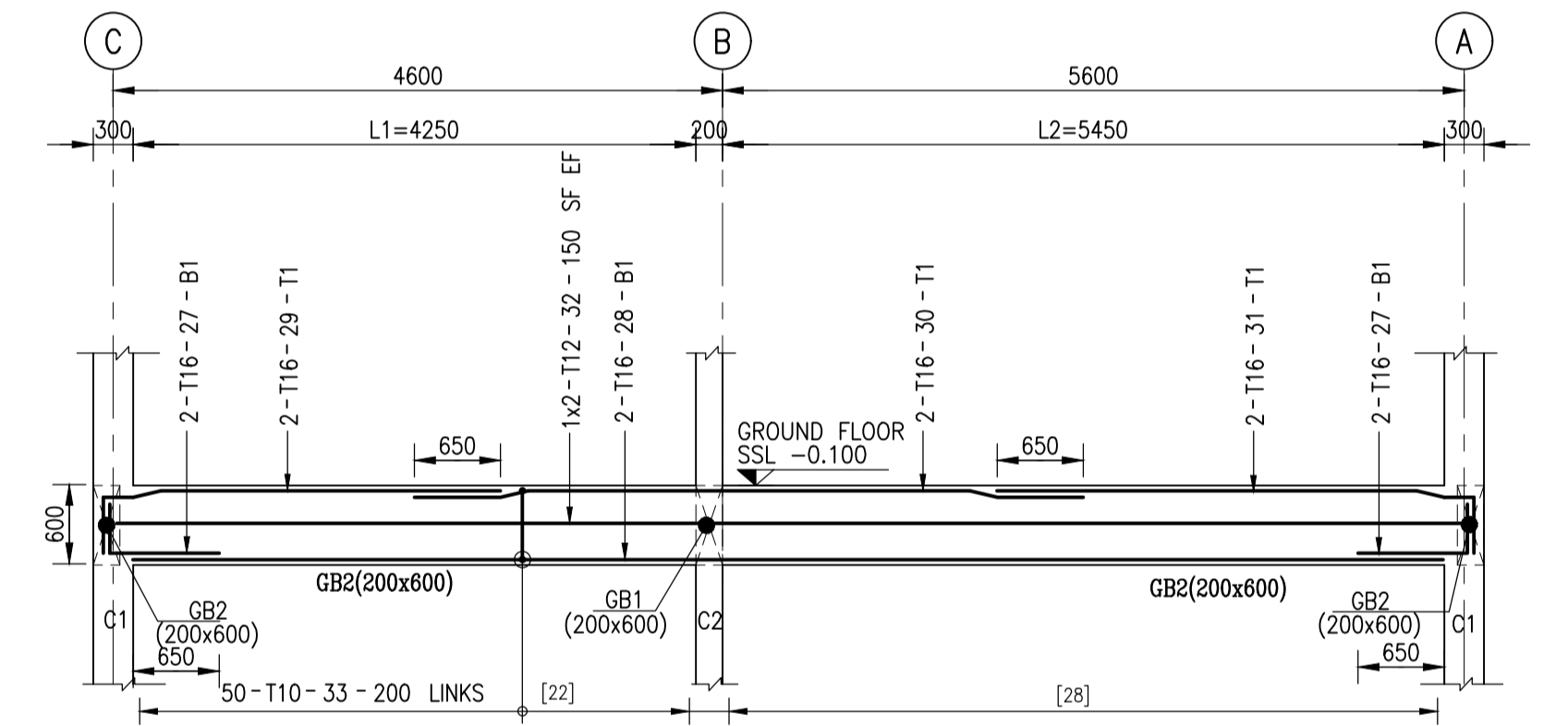
ELEVATION-C GROUND FLOOR BEAM-GB2(200x600)
SCALE 1:50



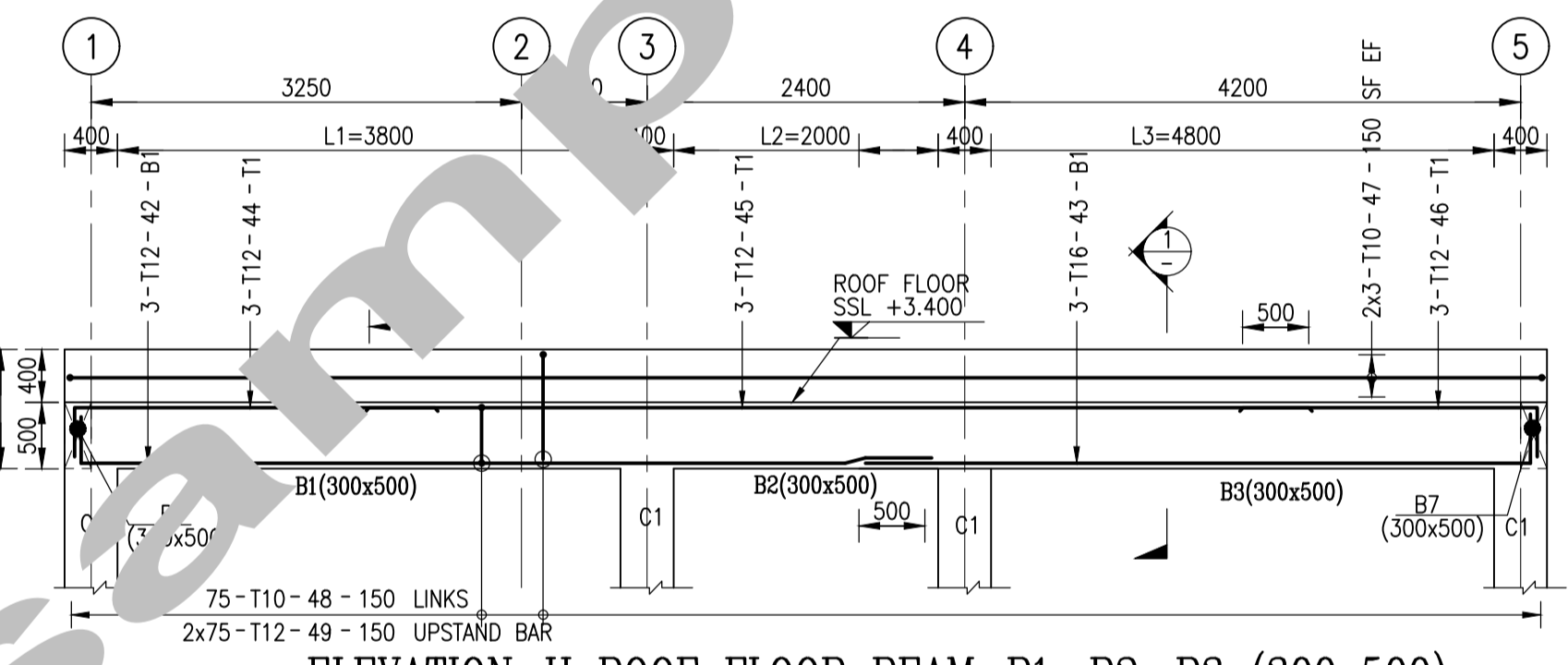
ELEVATION-D GROUND FLOOR BEAM-GB2(200x600)
SCALE 1:50
(2 Nos.)



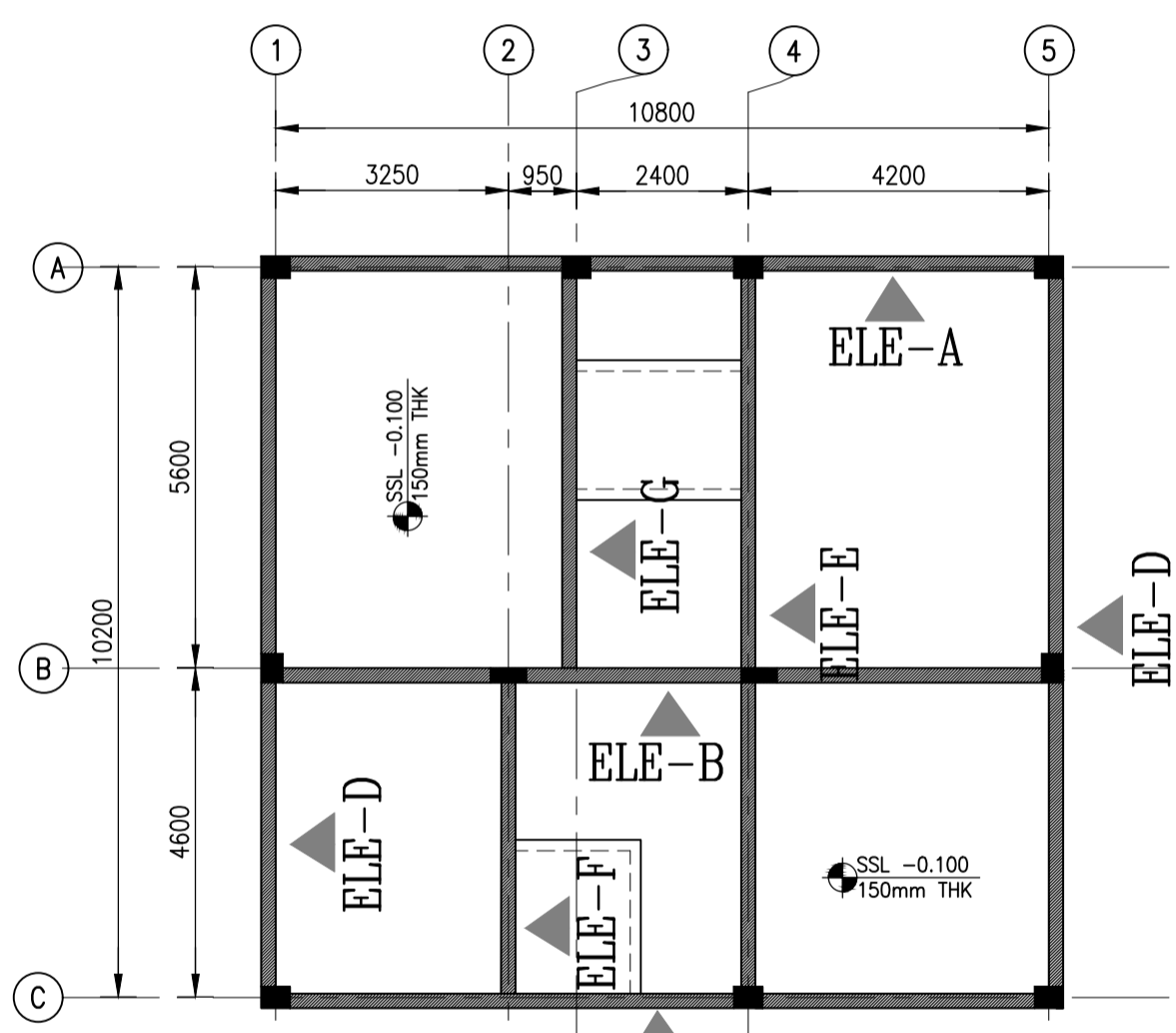
ELEVATION-G GROUND FLOOR BEAM-GB1(200x600)
SCALE 1:50



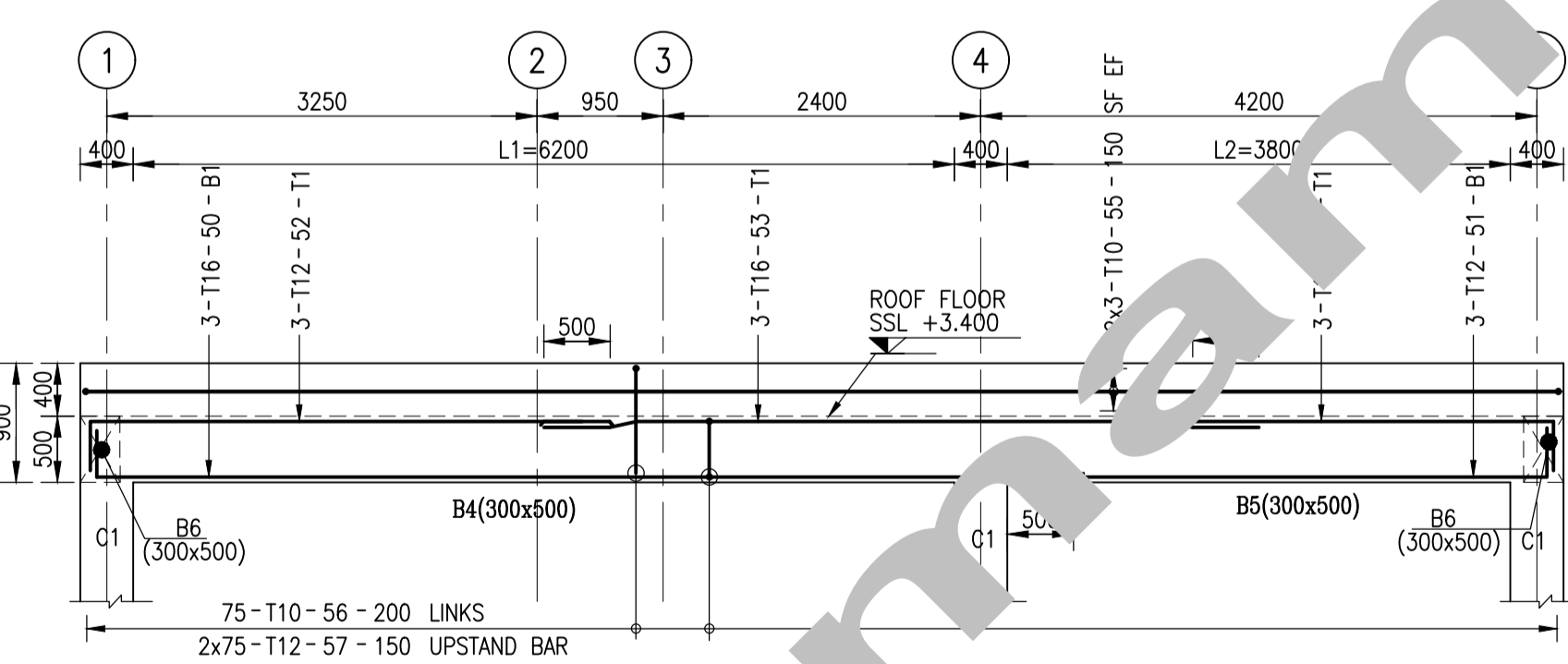
ELEVATION-E GROUND FLOOR BEAM-GB1(200x600)
SCALE 1:50



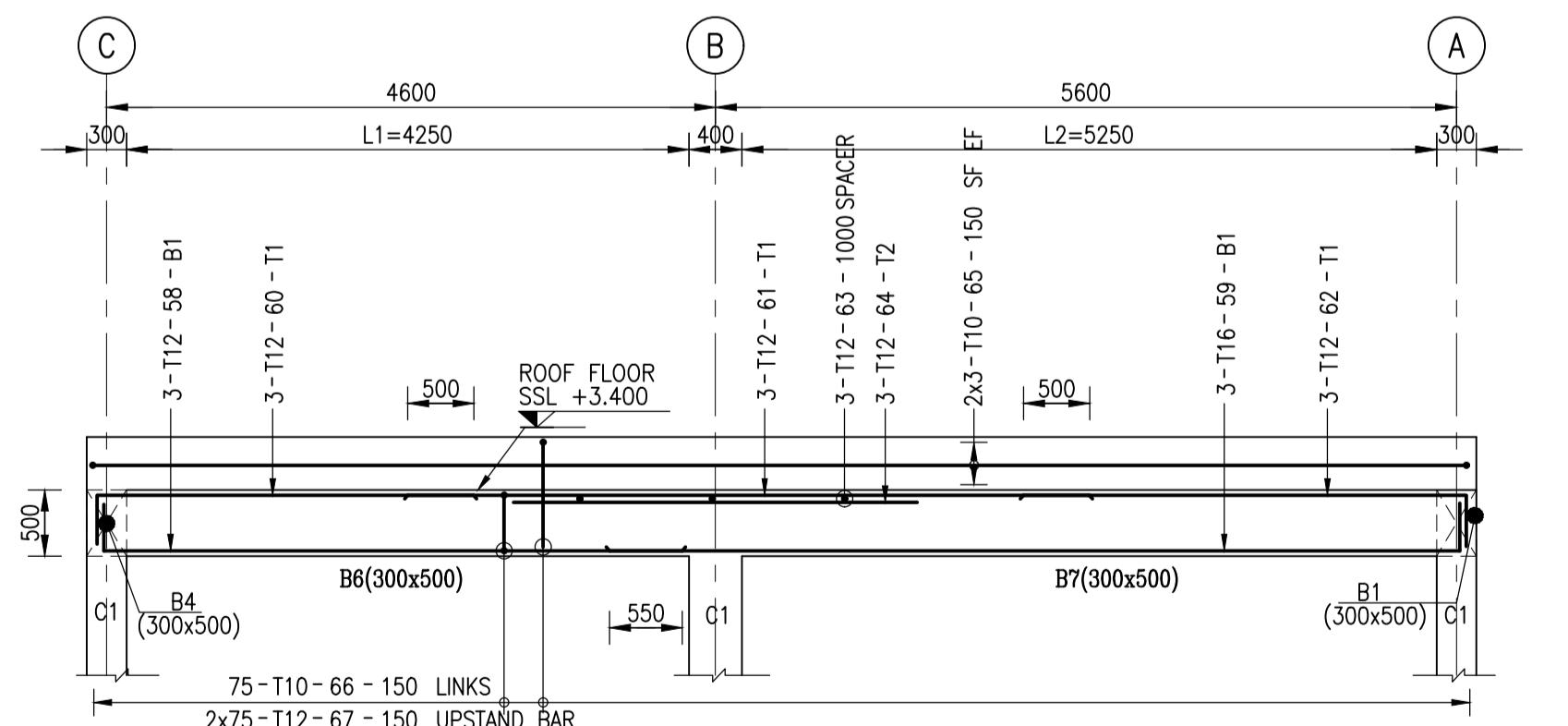
ELEVATION-H ROOF FLOOR BEAM-B1, B2, B3 (300x500)
SCALE 1:50



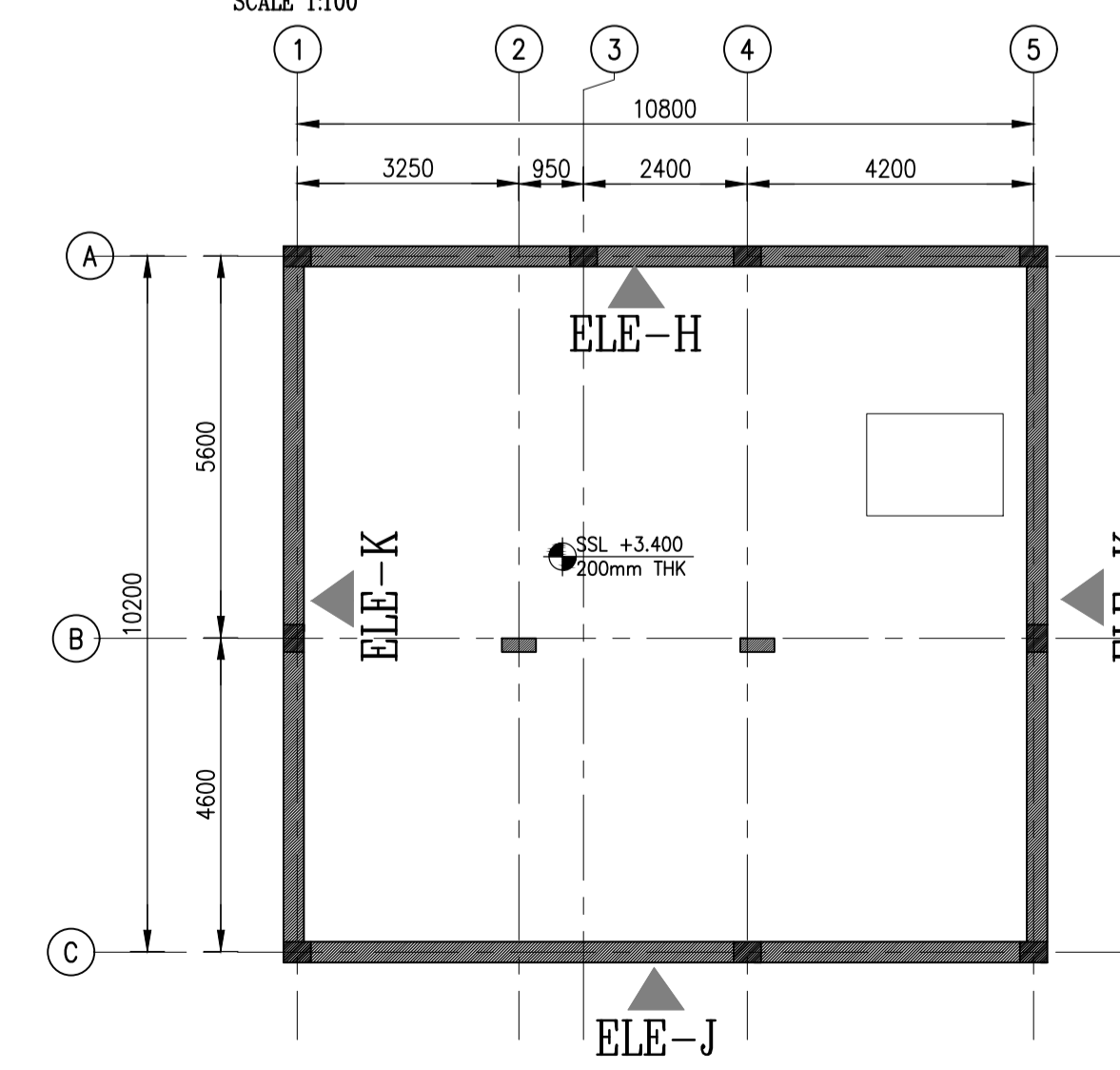
KEY PLAN FOR GROUND LEVEL BEAMS
SCALE 1:100



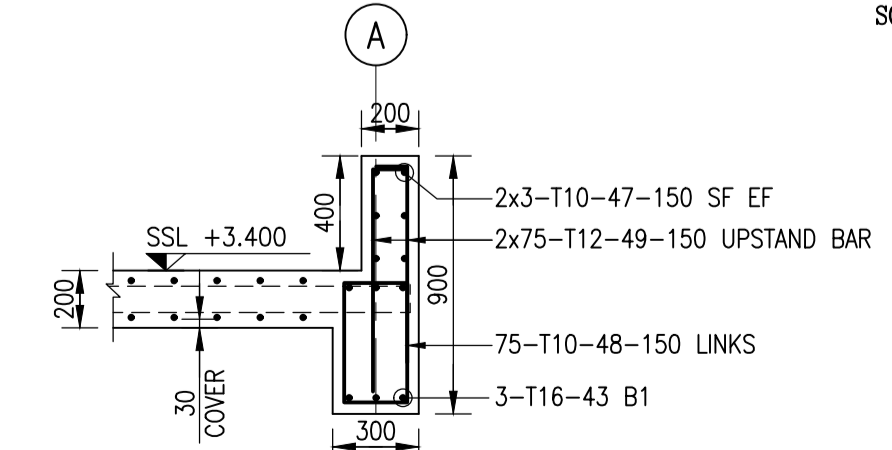
ELEVATION-J ROOF FLOOR BEAM-B4, B5 (300x500)
SCALE 1:50



ELEVATION-K ROOF FLOOR BEAM-B6, B7 (300x500)
SCALE 1:50
(2 Nos.)



KEY PLAN FOR ROOF LEVEL BEAMS
SCALE 1:100

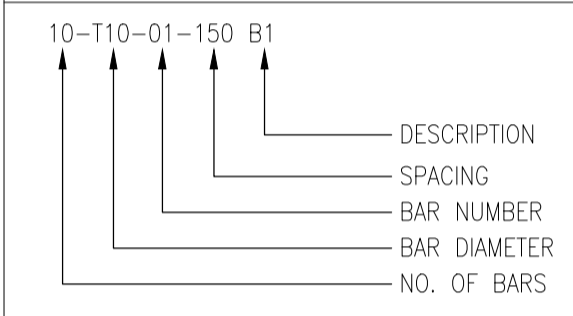


SECTION-1
SCALE 1:25

KEY PLAN:

NOTES:

LEGENDS:



REFERENCE DRAWINGS:

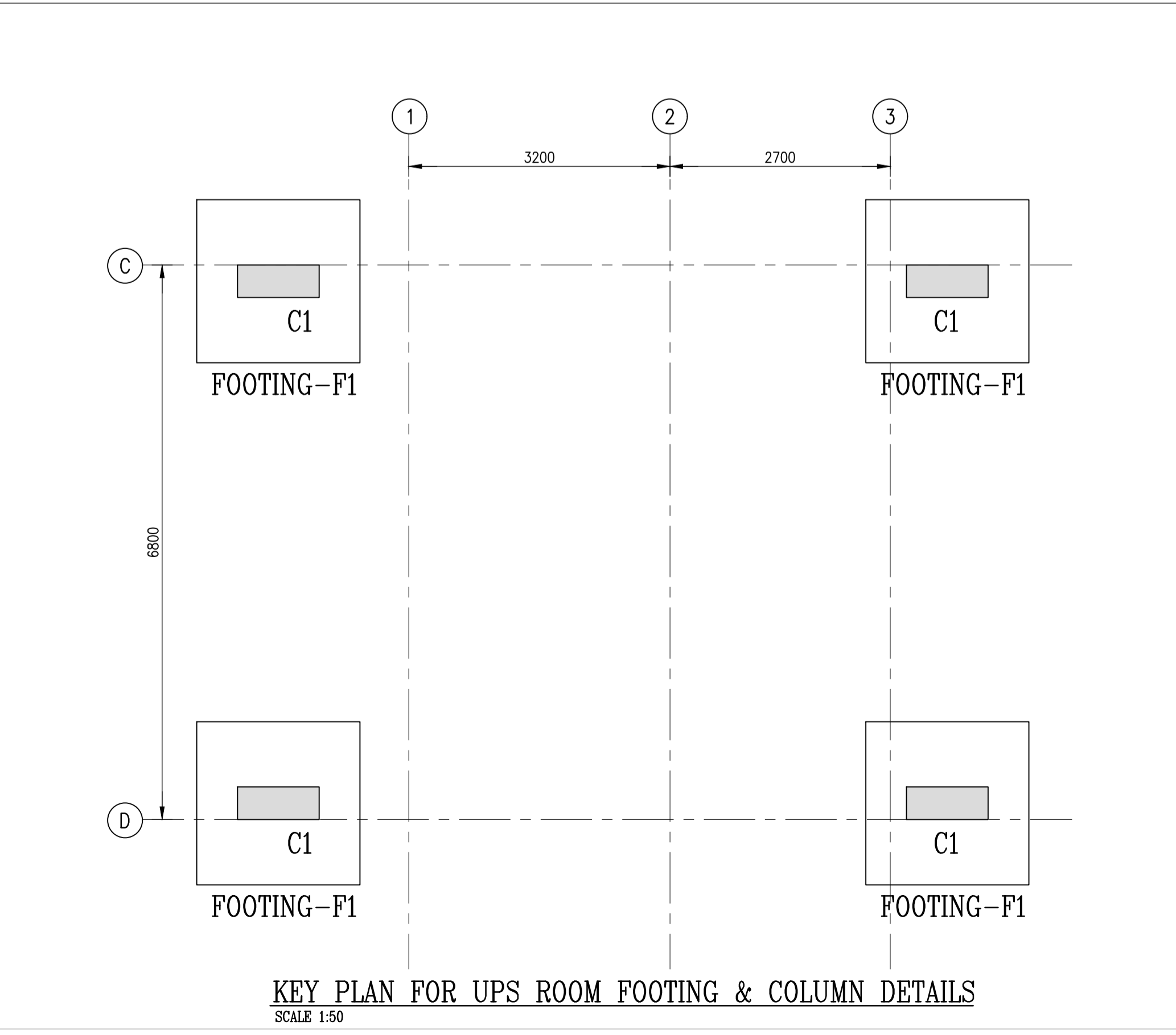
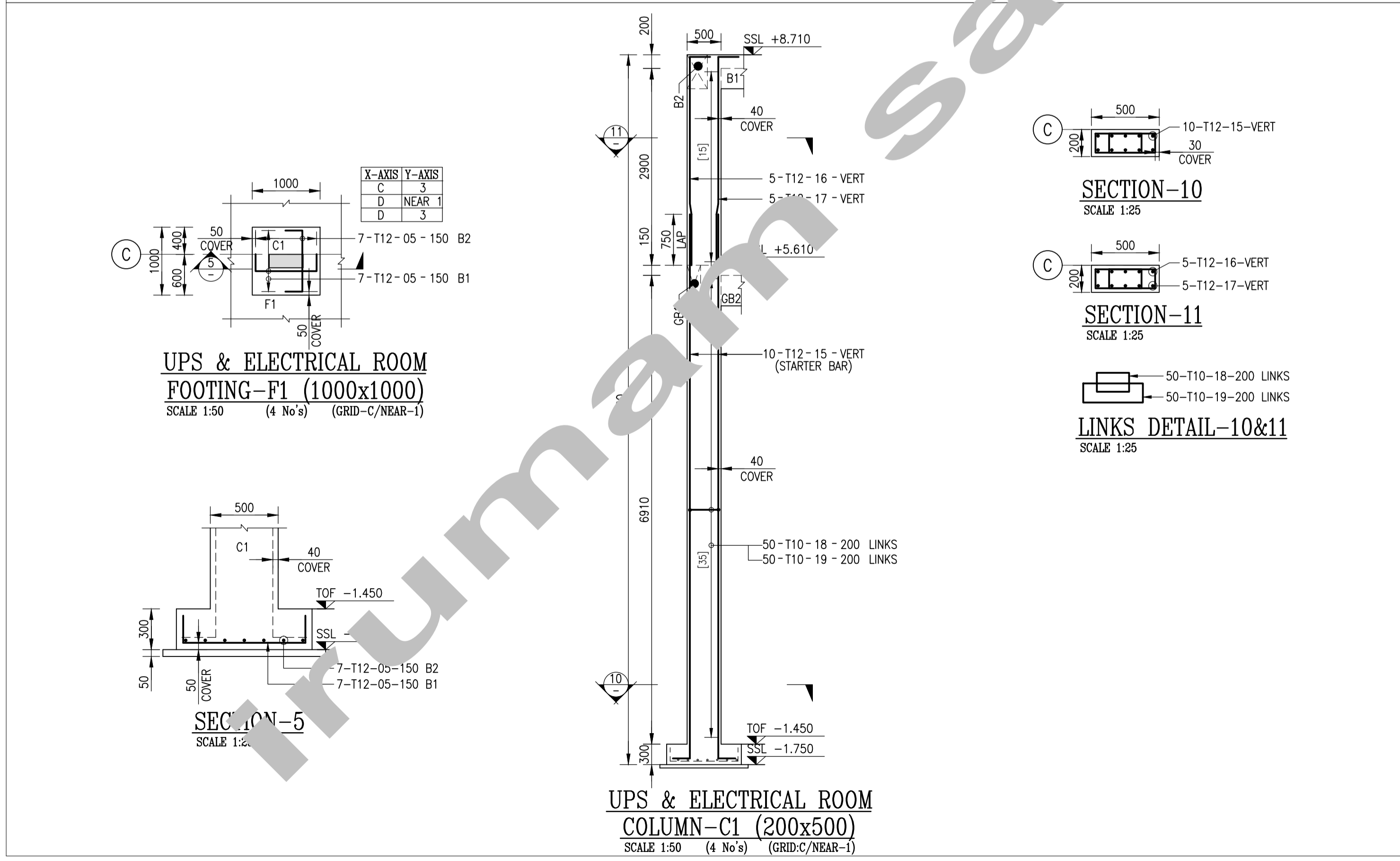
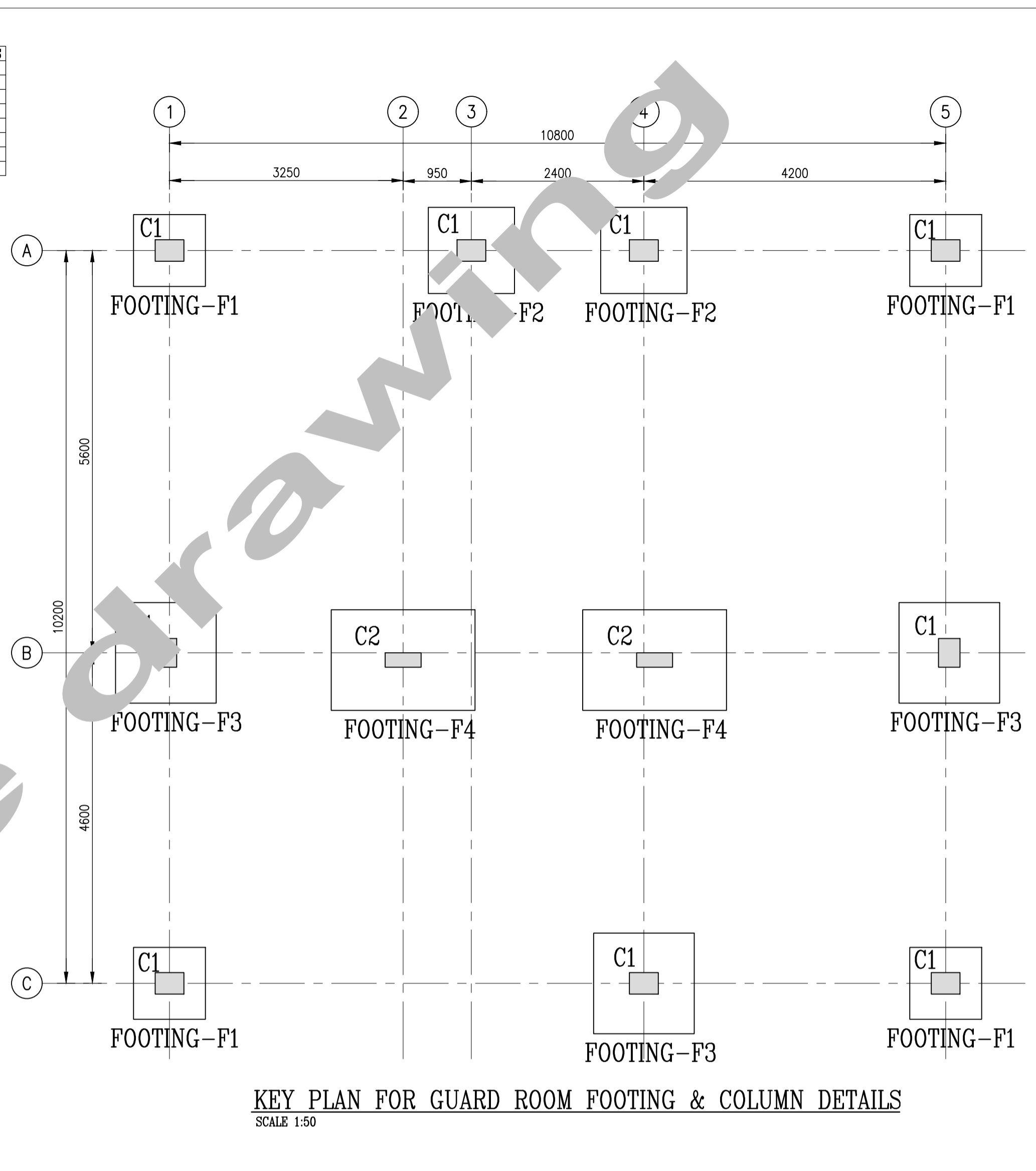
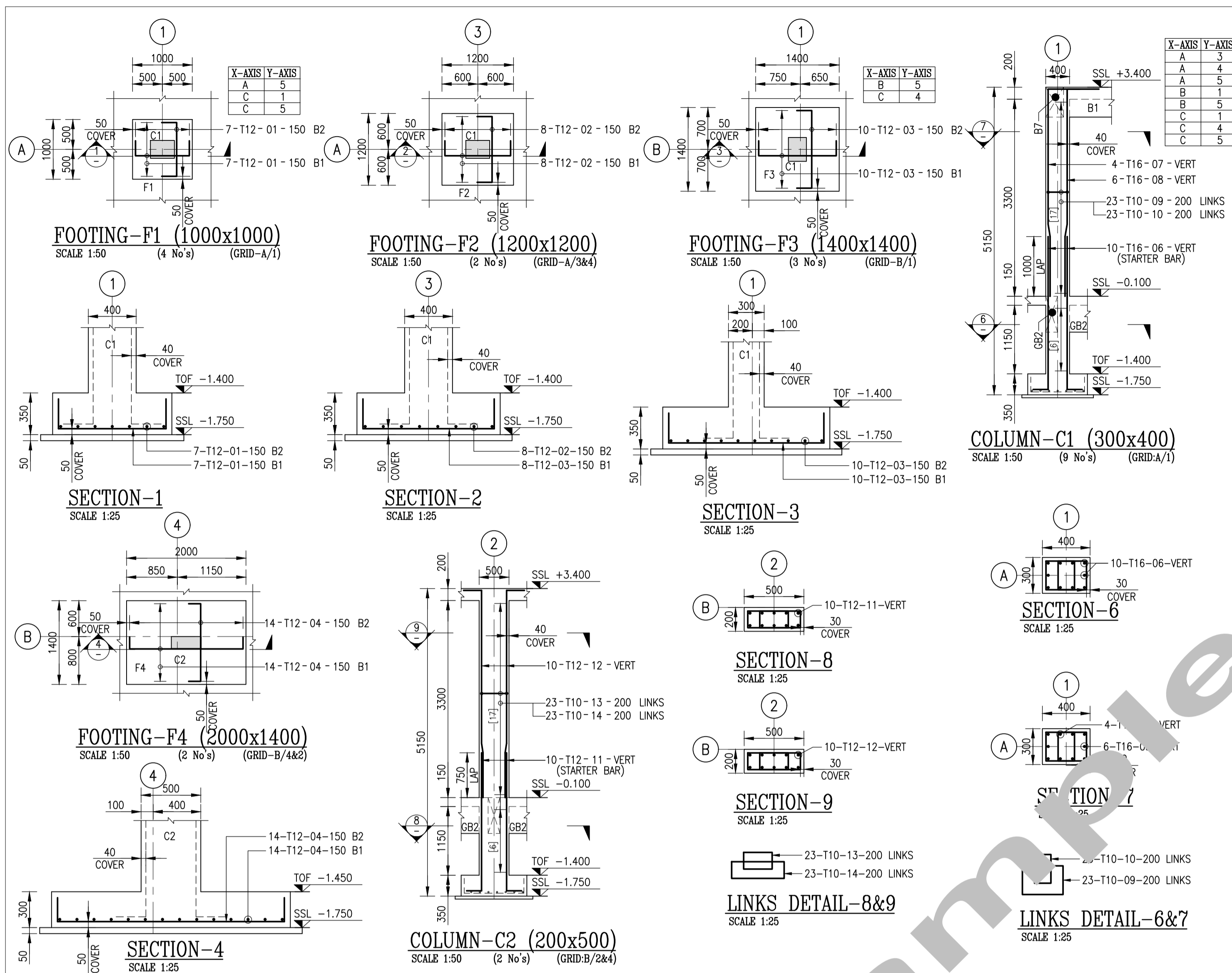
REV.	DRAWING NO.	DESCRIPTION

REV.	DATE	DESCRIPTION	DRAWN	CHKD.
0	27.03.2016	ISSUED FOR APPROVAL	ASP	RSK

PROJECT:
CLIENT:

DRAWING TITLE:
**BEAM SAMPLE DRAWING
REINFORCEMENT DETAILS**

DRAWN	ASP	CHECKED	RSK
DATE	27.03.2016	APPROVED	RSK
SCALE	AS NOTED	SHEET	01 OF 01
DWG.NO		TRADE	REV.
		CIVIL	0



KEY PLAN:

NOTES:

LEGENDS:

10-T10-01-150 B1	DESCRIPTION
↑	SPACING
↑	BAR NUMBER
↑	BAR DIAMETER
↑	NO. OF BARS

REFERENCE DRAWINGS:

REV.	DRAWING NO.	DESCRIPTION

REV.	DATE	DESCRIPTION	DRAWN	CHKD.
0	27.03.2016	ISSUED FOR APPROVAL	YSR	RSK

PROJECT:

CLIENT:

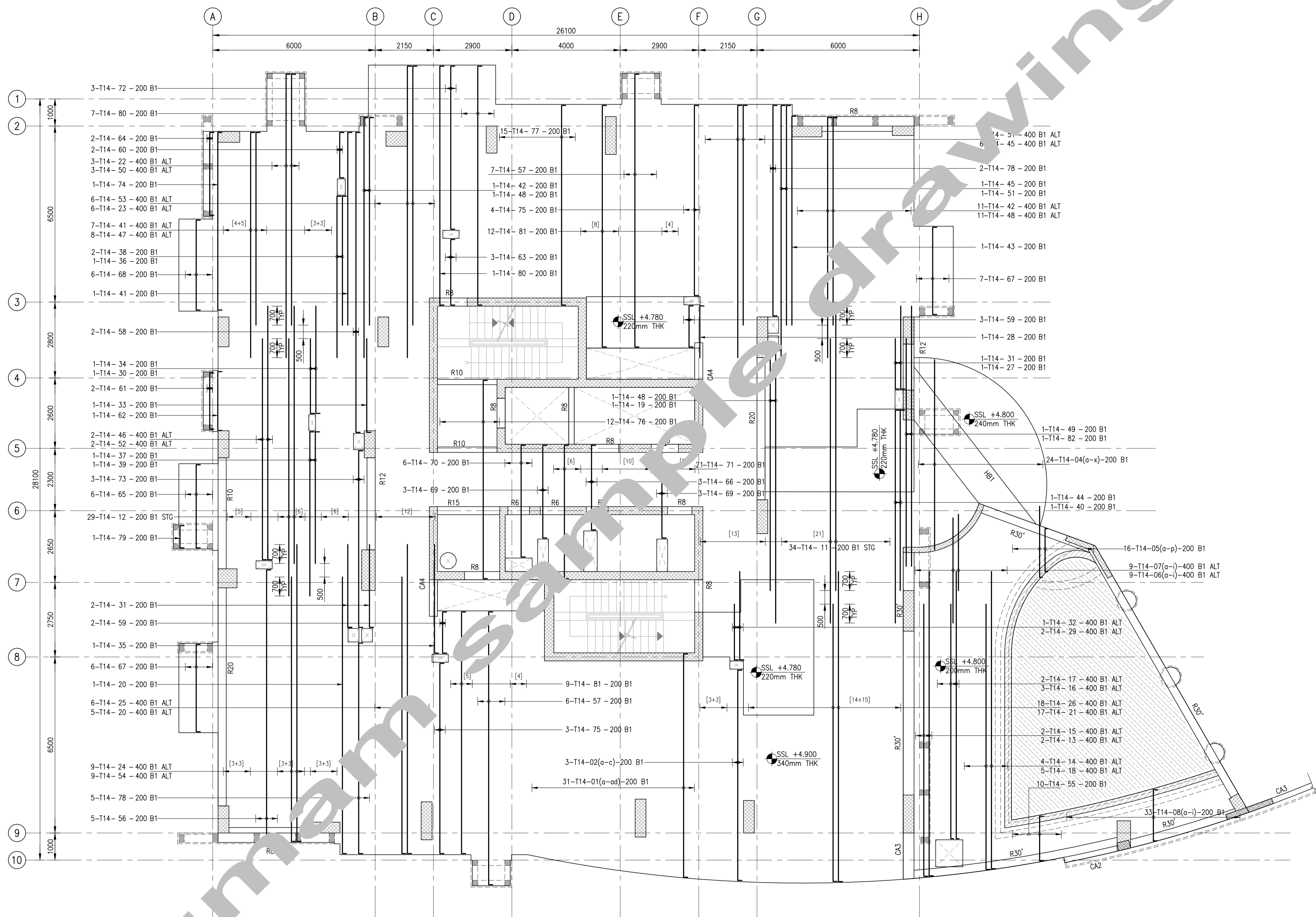
DRAWING TITLE:-
FOOTING & COLUMN SAMPLE REINFORCEMENT DETAILS

DRAWN	YSR	CHECKED	RSK

DATE	27.03.2016	APPROVED	RSK

SCALE	AS NOTED	SHEET	01 OF 01

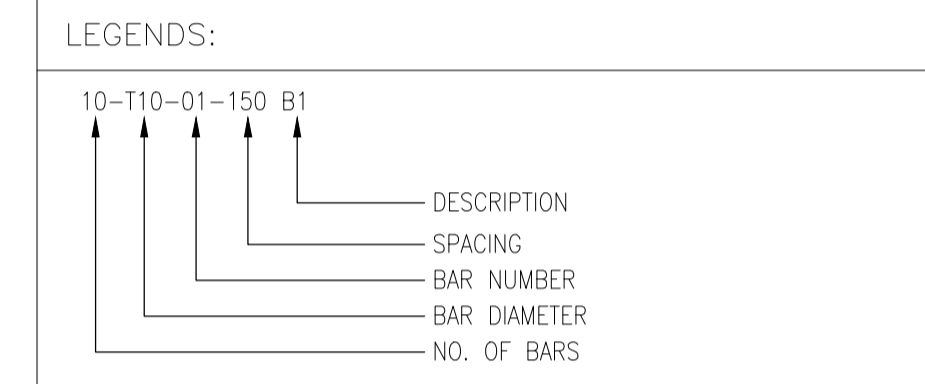
DWG.NO	TRADE	REV.
	CIVIL	0



FIRST FLOOR LEVEL
 SLAB BOTTOM B1-LAYER REINFORCEMENT DETAILS
 SCALE 1:100

KEY PLAN:

NOTES:



REFERENCE DRAWINGS:

REV.	DRAWING NO.	DESCRIPTION

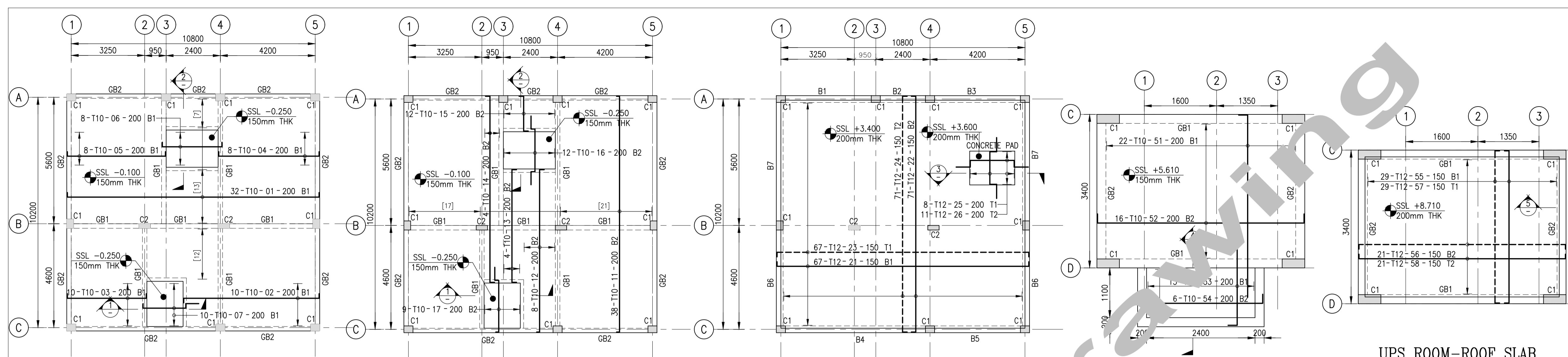
REV.	DATE	DESCRIPTION	DRAWN	CHKD.
0	27.03.2016	ISSUED FOR APPROVAL	YSR	RSK

PROJECT:

CLIENT:

DRAWING TITLE:-
 SLAB SAMPLE DRAWING
 REINFORCEMENT DETAILS

DRAWN	YSR	CHECKED	RSK
DATE	27.03.2016	APPROVED	RSK
SCALE	AS NOTED	SHEET	01 OF 01
DWG.NO		TRADE	REV.
		CIVIL	0



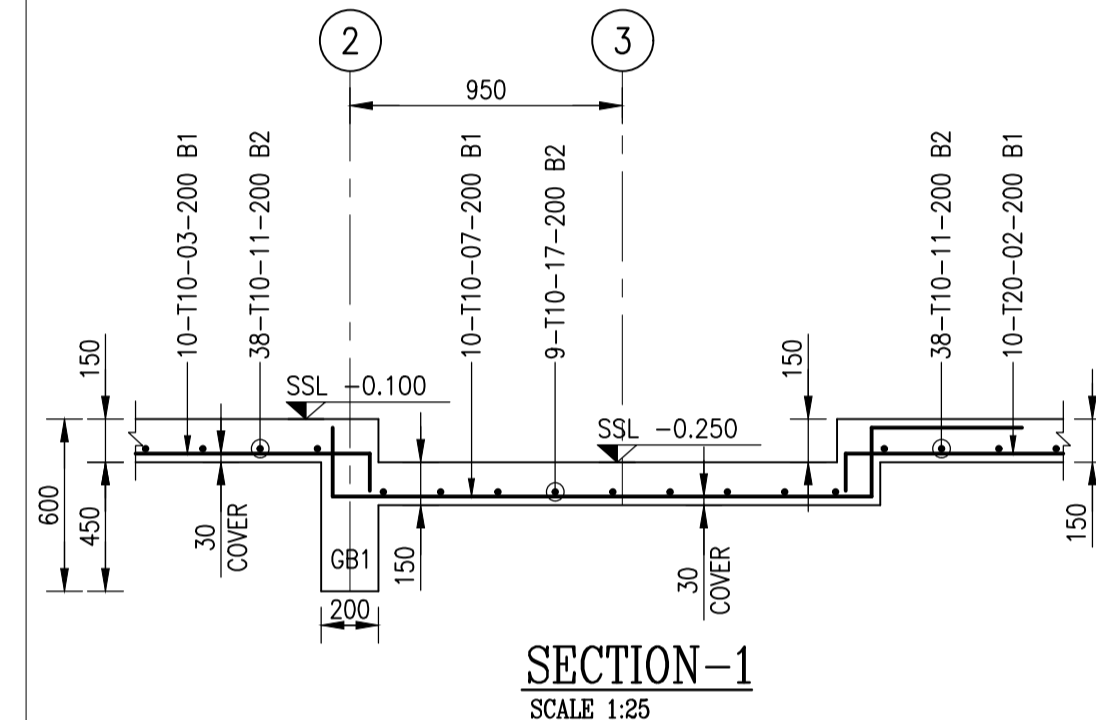
GROUND FLOOR GRADE SLAB BOTTOM B1 LAYER REINFORCEMENT DETAILS
SCALE 1:100

GROUND FLOOR GRADE SLAB BOTTOM B2 LAYER REINFORCEMENT DETAILS
SCALE 1:100

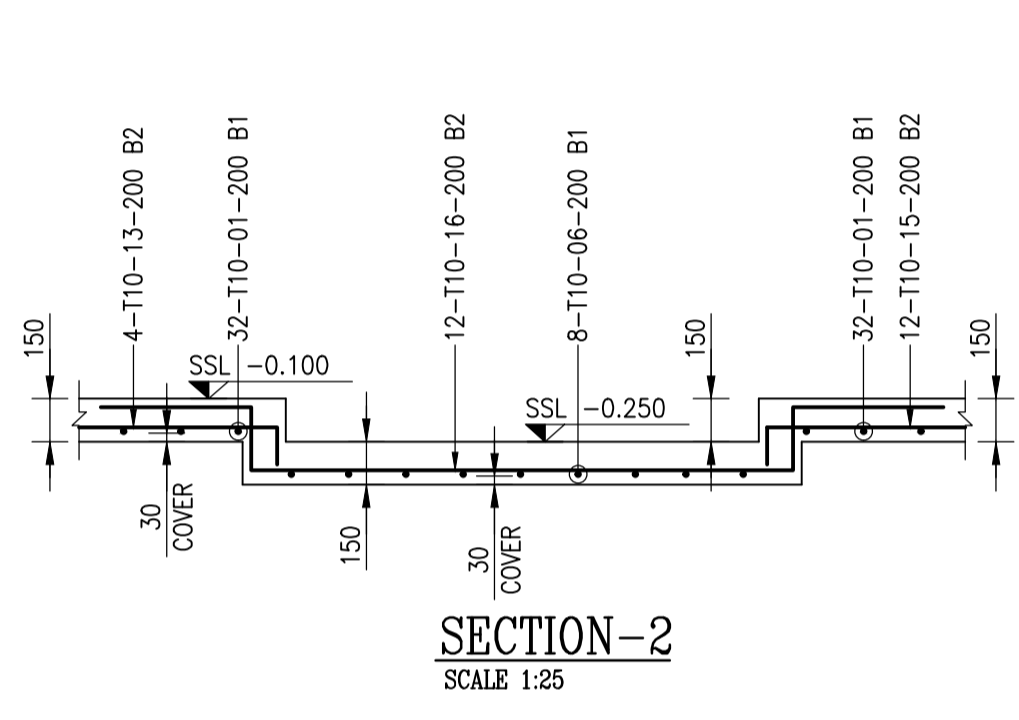
ROOF SLAB BOTTOM & TOP LAYER REINFORCEMENT DETAILS
SCALE 1:100

UPS ROOM-GROUND FLOOR GRADE SLAB REINFORCEMENT DETAILS
SCALE 1:50

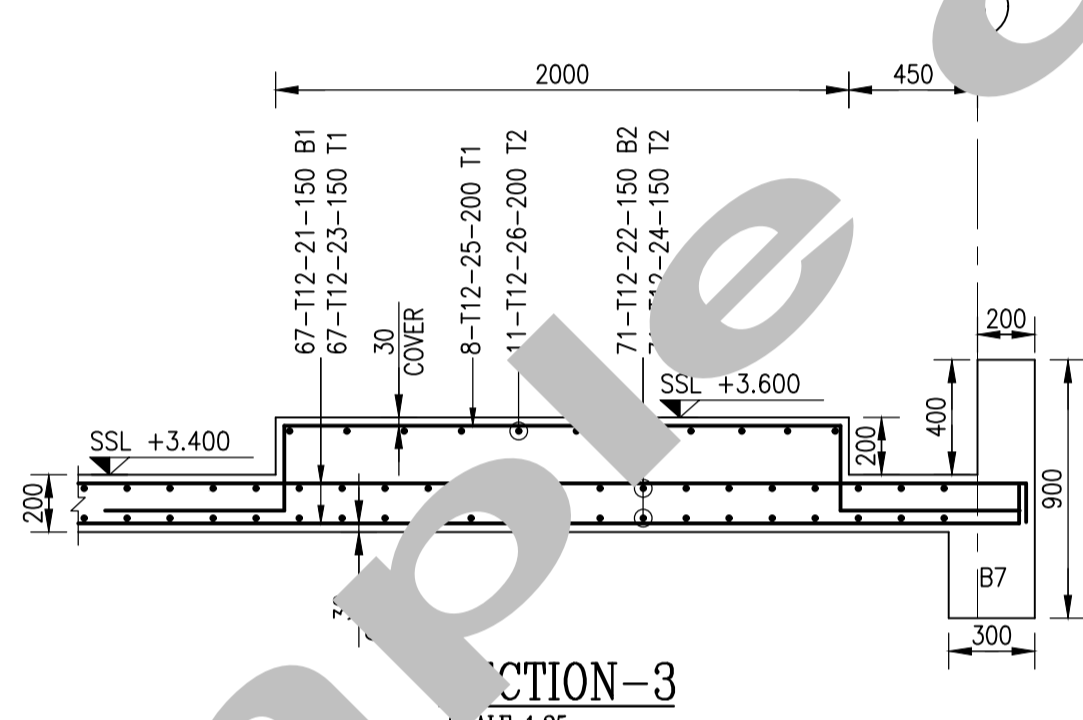
UPS ROOM-ROOF SLAB REINFORCEMENT DETAILS
SCALE 1:50



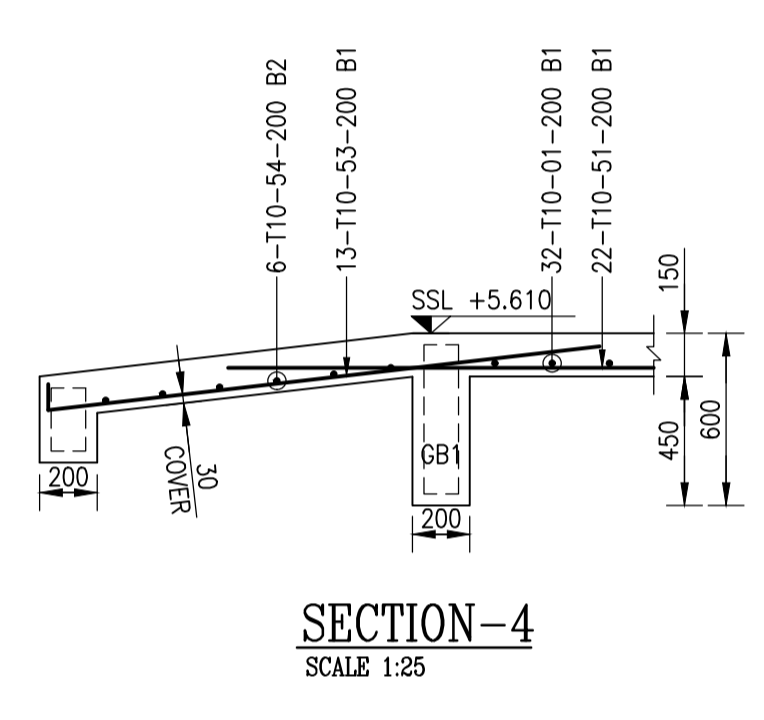
SECTION-1
SCALE 1:25



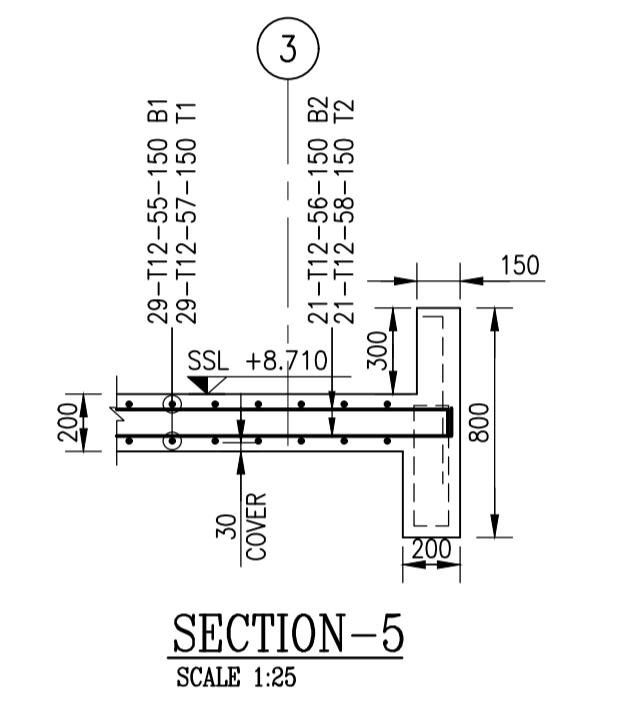
SECTION-2
SCALE 1:25



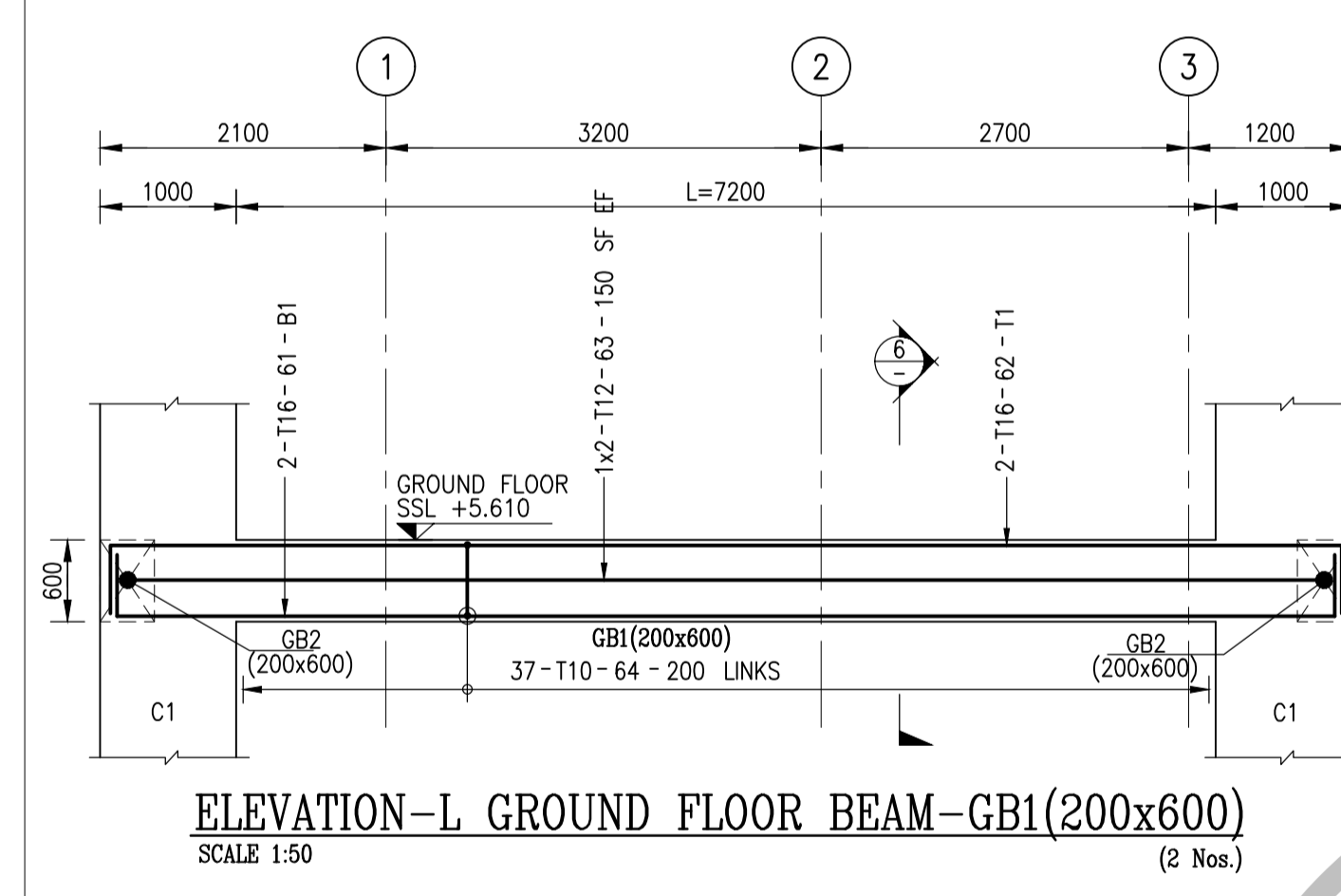
SECTION-3
SCALE 1:25



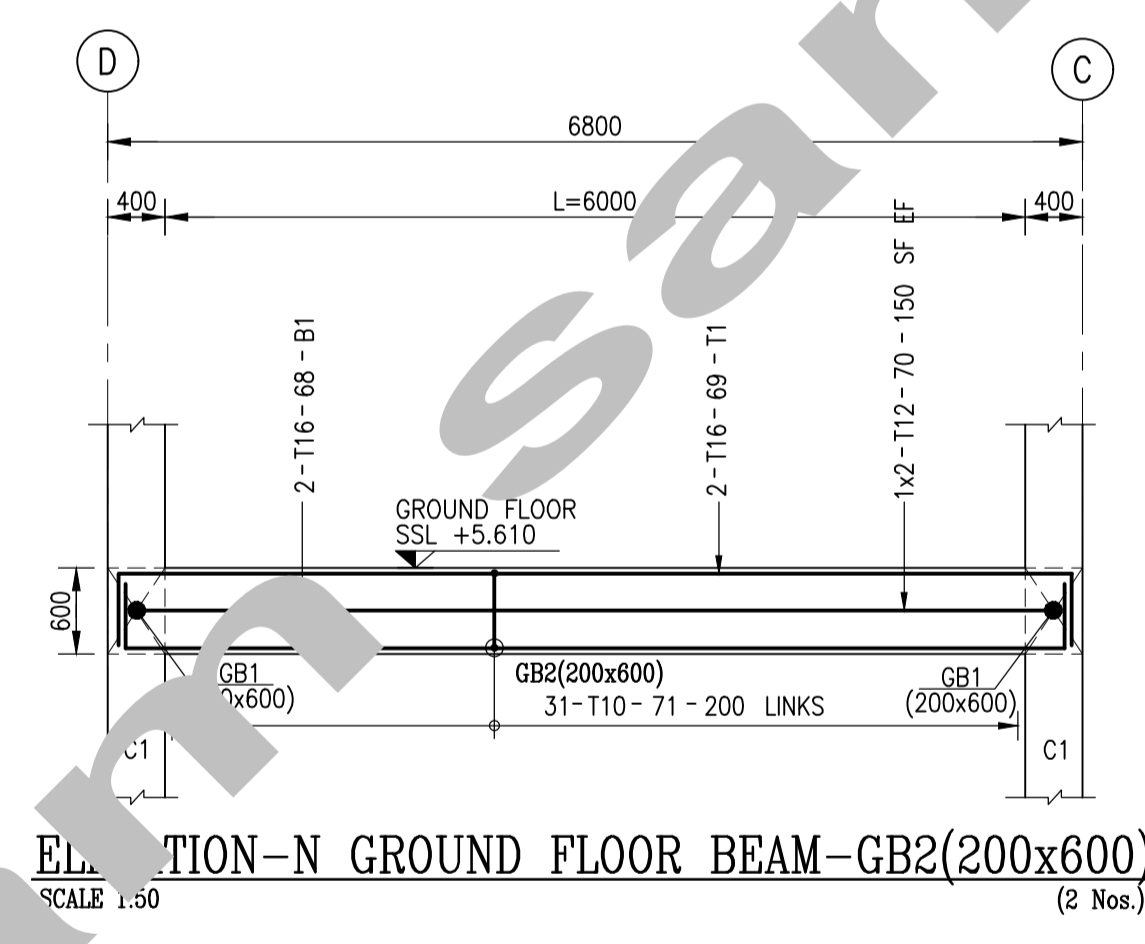
SECTION-4
SCALE 1:25



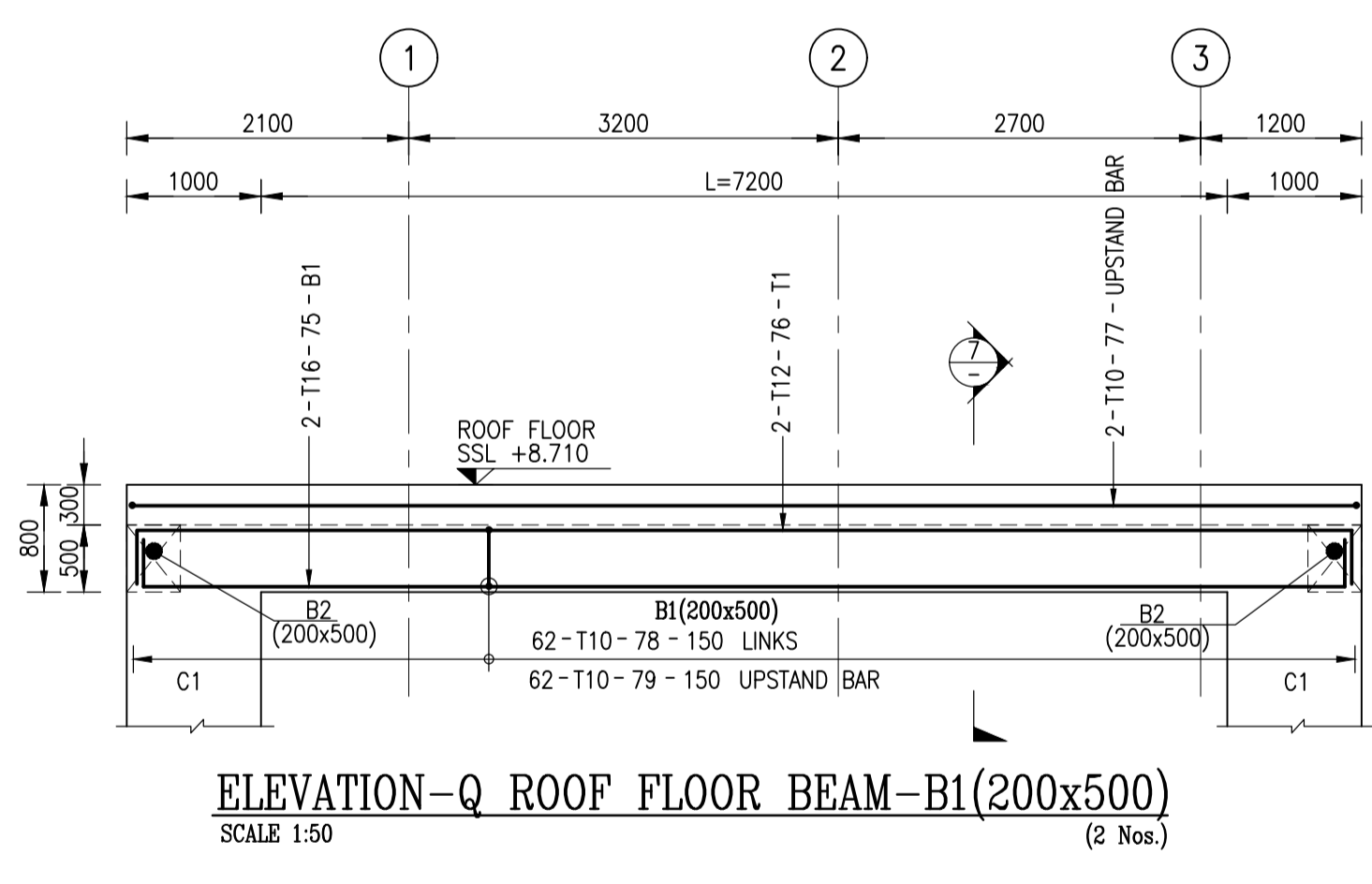
SECTION-5
SCALE 1:25



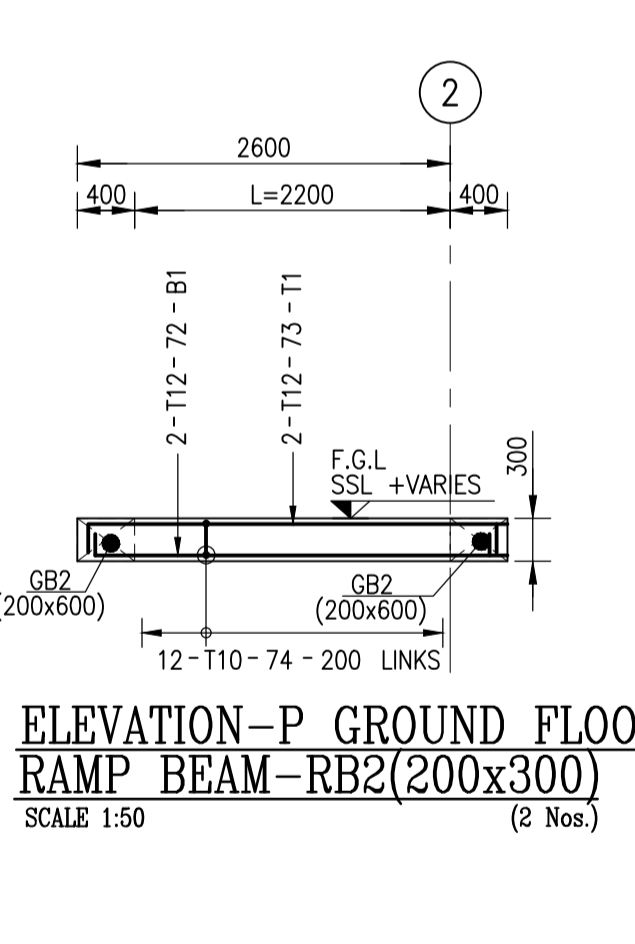
ELEVATION-L GROUND FLOOR BEAM-GB1(200x600)
SCALE 1:50 (2 Nos.)



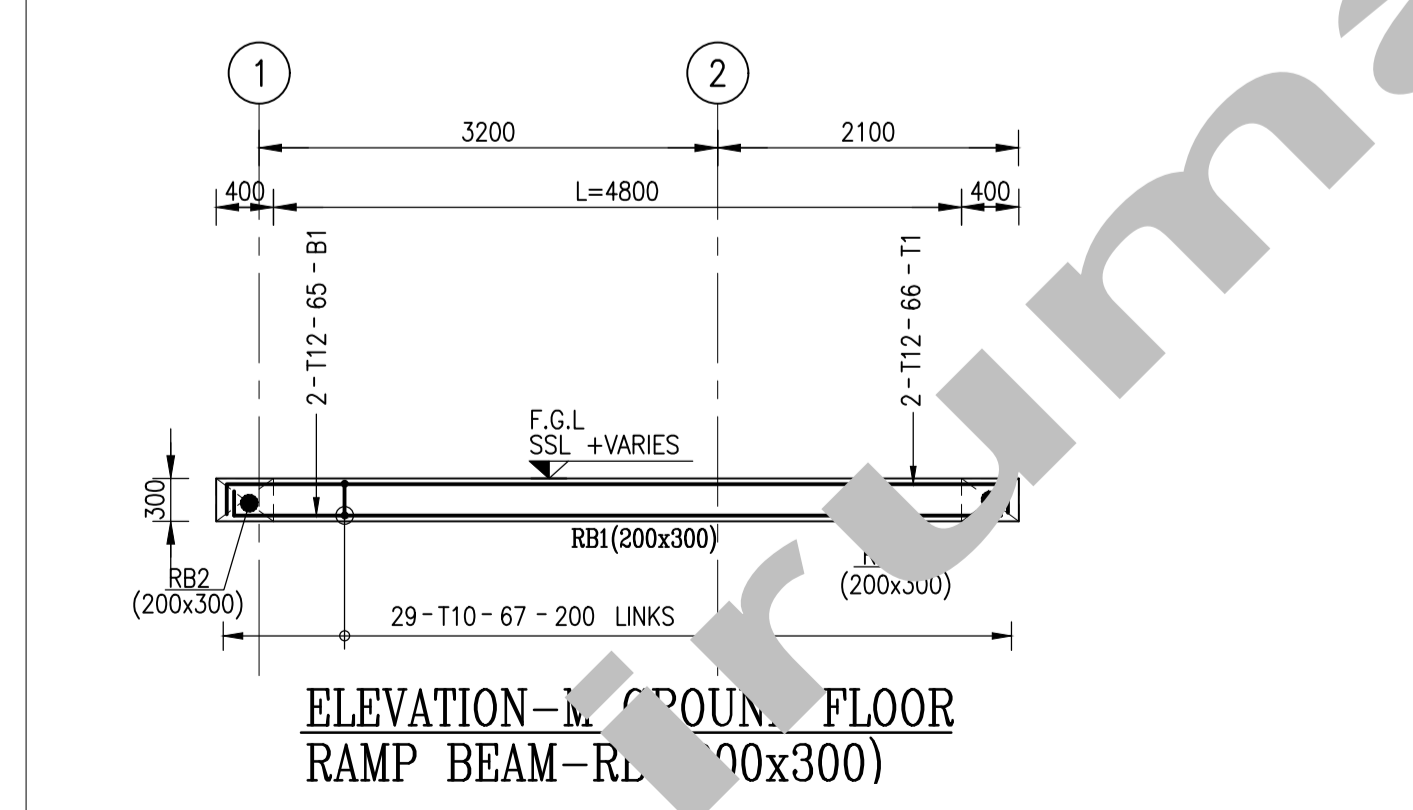
ELEVATION-N GROUND FLOOR BEAM-GB2(200x600)
SCALE 1:50 (2 Nos.)



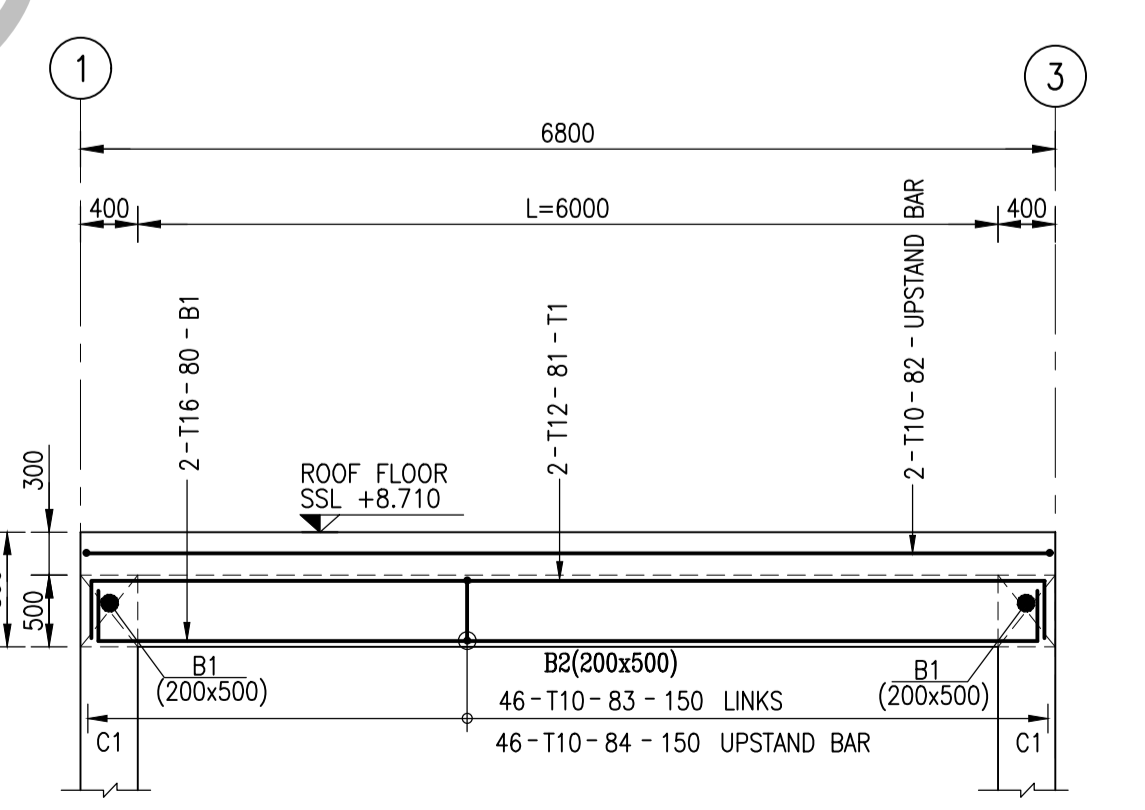
ELEVATION-Q ROOF FLOOR BEAM-B1(200x500)
SCALE 1:50 (2 Nos.)



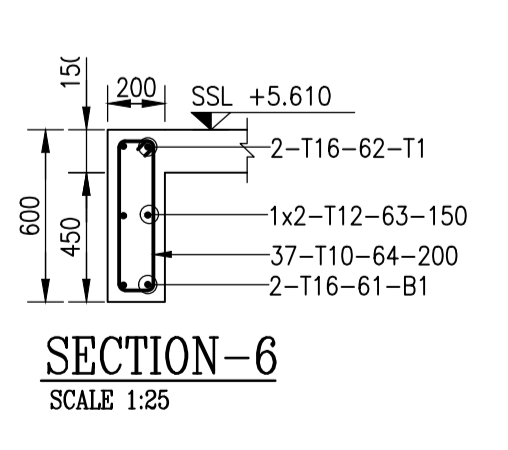
ELEVATION-P GROUND FLOOR RAMP BEAM-RB2(200x300)
SCALE 1:50 (2 Nos.)



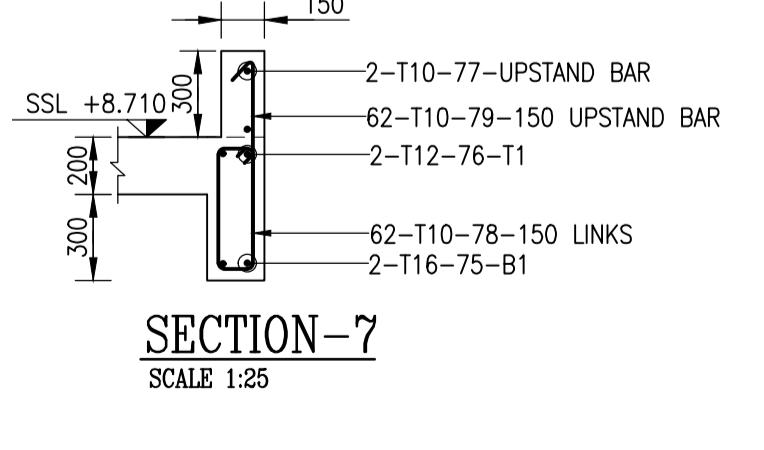
ELEVATION-M GROUND FLOOR RAMP BEAM-RB1(200x300)



ELEVATION-R ROOF FLOOR BEAM-B2(200x500)
SCALE 1:50



SECTION-6
SCALE 1:25

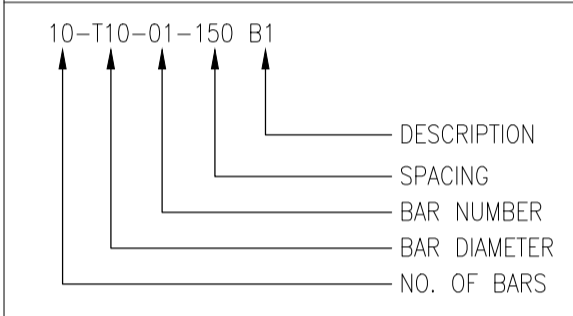


SECTION-7
SCALE 1:25

KEY PLAN:

NOTES:

LEGENDS:



REFERENCE DRAWINGS:

REV.	DRAWING NO.	DESCRIPTION

REV.	DATE	DESCRIPTION	DRAWN	CHKD.
0	27.03.2016	ISSUED FOR APPROVAL	YSR	RSK

PROJECT:
CLIENT:

DRAWING TITLE:
SLAB & BEAM SAMPLE DRAWING REINFORCEMENT DETAILS

DRAWN	YSR	CHECKED	RSK
DATE	27.03.2016	APPROVED	RSK
SCALE	AS NOTED	SHEET	01 OF 01
DWG.NO		TRADE	REV.
		CIVIL	0